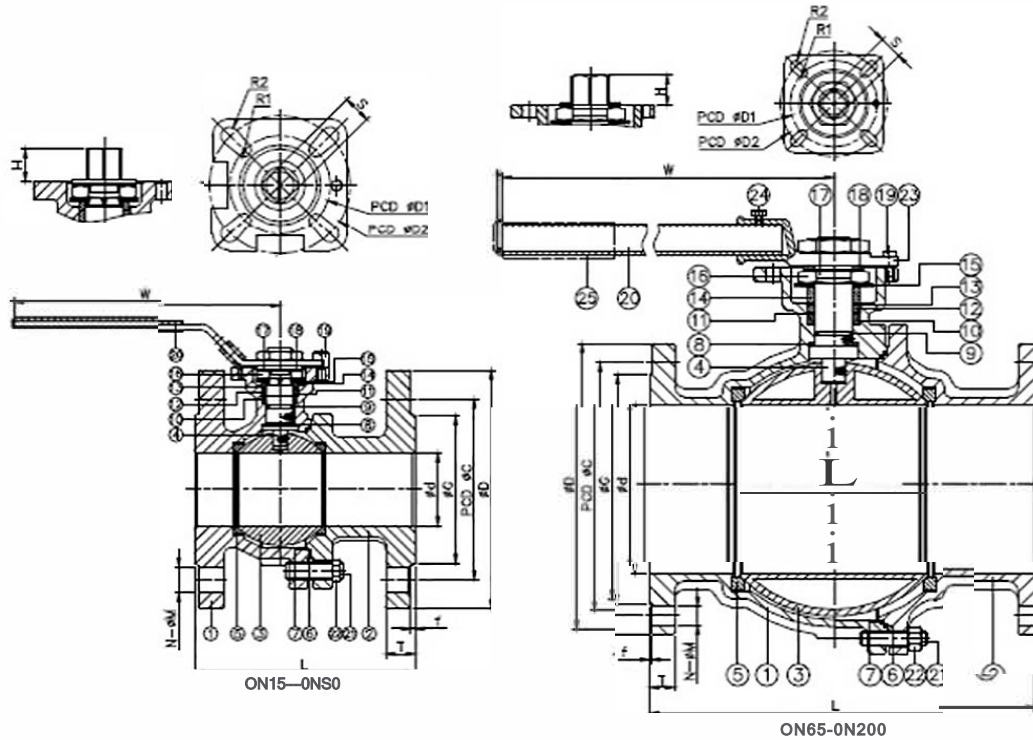




FEATURES

1. Full port, 1/2"~8" (DN15~DN200)
2. WP. :1/2"-2" -PN16-40 / 2-1/2"-4" -PN10-16 / 5"-8" -PN16
3. W T:-20°C ~200°C
4. Investment casting
5. Blow-out proof stem
6. Live-loading design
7. Anti-static device
8. Double sealed body & stem
9. Locking device
10. ISO 5211 direct Mounting pad
11. API 607 Fire safe approved
12. ISO 15848 fugitive emission approved

ITEM	PARTS	MATERIAL	
1	BODY	1.4408	1.0619
2	CAP		
3	BALL	ASTM A351-CF8M	
4	STEM	1.4401	
5	SEAT	TFM 1600 316	
6	SEALA	+GRAPHITE	
7	SEALB	PTFE	
8	THRUST WASHER	CTFE	
9	O-RING	VITON	
10	PACKINGA	PTFE	
11	GLAND RING A	1.4301	
12	PACKING B	GRAPHITE	
13	PACKINGC	PEEK	
14	GLJNDRING B	1.4301	
15	BELLEVILLE WASHER	1.4310	
16	STEM NUT	1.4301	
17	LOCKING		
18	WASHER FLAT		
19	HANDLE HEAD		
20	HANDLE /STEEL TUBE	STAINLESS STEEL	
21	STUD	1.4301	
22	NUT HANDLE		
23	HEAD		
24	BOLT		
25	HANDLE SLEEVE	PVC	



DN	d	G	C	D	L	H	W	T	f	S	D1	D2	R1	R2	N	M	Torque (N-M)	Weight(kg)
15	15	45	65	95	115	9	197.5	16	2	9	36	42	2.75	2.75	4	14	8	2.4
20	20	58	75	105	120	9	197.5	18	2	9	36	42	2.75	2.75	4	14	8	3.1
25	24	68	85	115	125	11	197.5	18	2	11	42	50	2.75	3.5	4	14	10	4
32	30	78	100	140	130	11	197.5	18	2	11	42	50	2.75	3.5	4	18	20	5.5
40	38	88	110	150	140	15	247.5	18	3	14	50	70	3.5	4.5	4	18	25	7.2
50	50	102	125	165	150	15	247.5	20	3	14	50	70	3.5	4.5	4	18	35	9.5
65	64	122	145	185	170	18	340	18	3	17	70	102	4.5	5.5	4	18	40	14.7
80	76	138	160	200	180	18	340	20	3	17	70	102	4.5	5.5	8	18	60	18.3
100	100	158	180	220	190	22.5	340	20	3	22	102	125	5.5	6.5	8	18	120	24.3
125	125	188	210	250	325	27.5	743	22	3	27	102	125	5.5	6.5	8	18	150	-
150	150	212	240	285	350	27.5	743	22	3	27	102	125	5.5	6.5	8	22	250	49.2
200	200	268	295	340	400	36	860	24	3	36	140	-	8.5	-	12	22	500	85.5

unit:mm

NPS	d	G	C	D	L	H	W	T	f	S	D1	D2	R1	R2	N	M	Torque(N-M)	Weight(kg)
1/2"	0.59	1.77	2.56	3.74	4.53	0.35	7.78	0.63	0.08	0.35	1.42	1.65	0.11	0.11	4	0.55	70.8	5.3
3/4"	0.79	2.28	2.95	4.13	4.72	0.35	7.78	0.71	0.08	0.35	1.42	1.65	0.11	0.11	4	0.55	70.8	6.8
1"	0.94	2.68	3.35	4.53	4.92	0.43	7.78	0.71	0.08	0.43	1.65	1.97	0.11	0.14	4	0.55	88.5	8.8
1-1/4"	1.18	3.07	3.94	5.51	5.12	0.43	7.78	0.71	0.08	0.43	1.65	1.97	0.11	0.14	4	0.71	177	12.1
1-1/2"	1.5	3.46	4.33	5.91	5.51	0.59	9.74	0.71	0.12	0.55	1.97	2.76	0.14	0.18	4	0.71	221.3	15.9
2"	1.97	4.02	4.92	6.5	5.91	0.59	9.74	0.79	0.12	0.55	1.97	2.76	0.14	0.18	4	0.71	309.8	20.9
2-1/2"	2.52	4.8	5.71	7.28	6.69	0.71	13.39	0.71	0.12	0.67	2.76	4.02	0.18	0.22	4	0.71	354	32.4
3"	2.99	5.43	6.3	7.87	7.09	0.71	13.39	0.79	0.12	0.67	2.76	4.02	0.18	0.22	8	0.71	531	40.3
4"	3.94	6.22	7.09	8.66	7.48	0.89	13.39	0.79	0.12	0.87	4.02	4.92	0.22	0.26	8	0.71	1062.1	53.6
5"	4.92	7.4	8.27	9.84	12.8	1.08	29.25	0.87	0.12	1.06	4.02	4.92	0.22	0.26	8	0.71	1327.6	-
6"	5.91	8.35	9.45	11.22	13.78	1.08	29.25	0.87	0.12	1.06	4.02	4.92	0.22	0.26	8	0.87	2212.7	108.5
8"	7.87	10.55	11.61	13.39	15.75	1.42	33.86	0.94	0.12	1.42	5.51	-	0.33	-	12	0.87	4425.4	188.5

unit:in